

# Lifebuoy bracket

[www.DX-marine.com](http://www.DX-marine.com)

DESIGN BY DX-MARINE



## A、 *Technical parameter*

- Material: 304 stainless steel、 316 stainless steel、 steel spraying plastics
- Thickness: 3mm
- Certification: manufacturer certification

## B、 *Use*

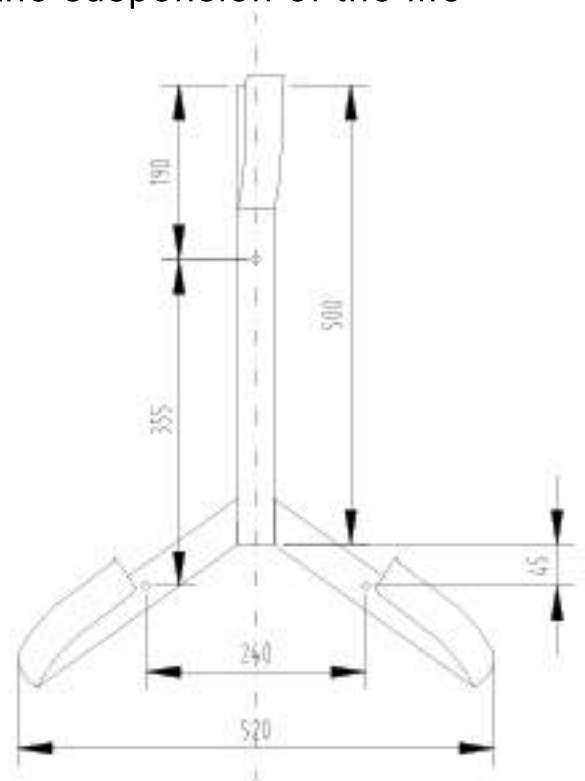
For the placement of national standard lifebuoy rings, used in 2.5kg of lifebuoy and 4.3kg lifebuoy rings or more than 700mm in diameter.

## C、 *Scope of use*

- For ship hanging wall;
- Park River arrangement;
- Sewage treatment plant hanging;
- Water park swimming pool;
- Decoration effect and so on.

## D、 *Advantage*

Convenient lifebuoy rings, beautiful and generous. At the same time, the lifesaving rope can be hung so as to facilitate the suspension of the life jacket. A lot of use, save more space.



Technical specifications:

Material: 316 stainless steel

3mm thick

**Jiangsu Dingxiang Marine Equipment Co.,LTD.**

**Professional fire fighting & life saving equipment manufacturer**